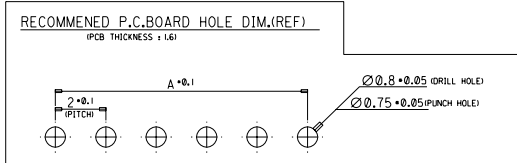
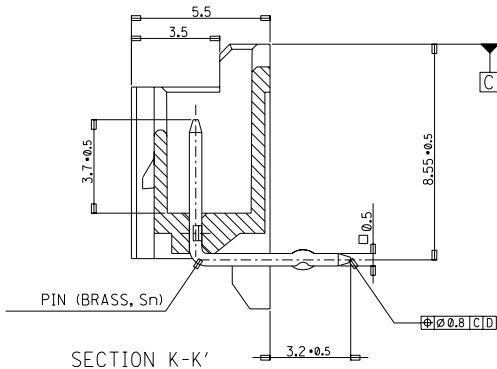
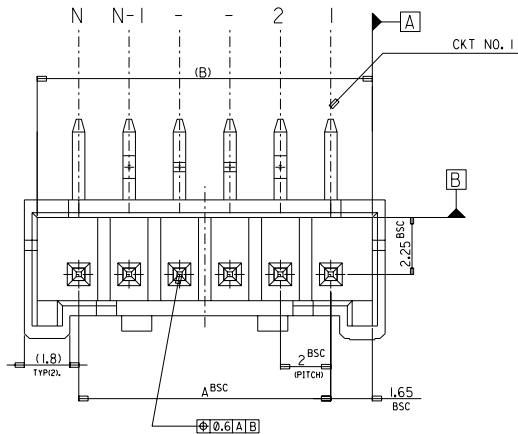
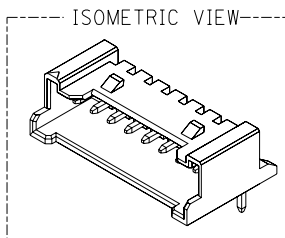
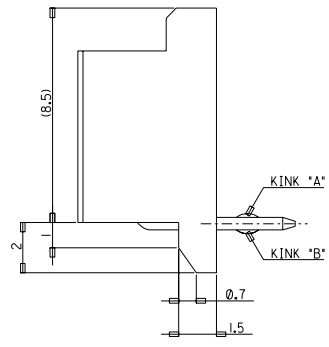
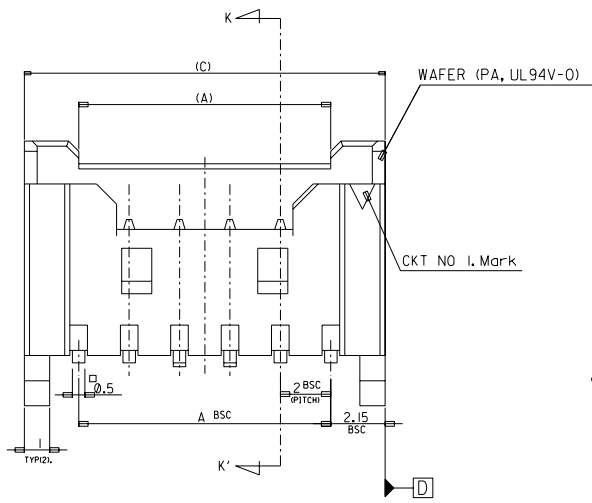
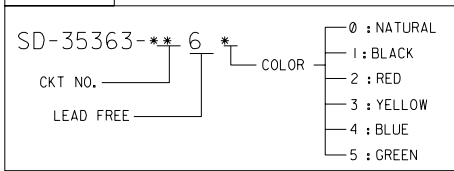


LEAD FREE



LEGEND



32.3	31.3	28	-156*	-156*	15
30.3	29.3	26	-146*	-146*	14
28.3	27.3	24	-136*	-136*	13
26.3	25.3	22	-126*	-126*	12
24.3	23.3	20	-116*	-116*	11
22.3	21.3	18	-106*	-106*	10
20.3	19.3	16	-096*	-096*	9
18.3	17.3	14	-086*	-086*	8
16.3	15.3	12	-076*	-076*	7
14.3	13.3	10	-066*	-066*	6
12.3	12.3	8	-056*	-056*	5
10.3	9.3	6	35363046*	35363-046*	4
(C)	(B)	A	MATERIAL NO.	ENG. NO.	CKT

- NOTES
- MATERIAL : WAFER : POLYAMIDE(PA), NO GLASS, UL94V-0  
PIN : BRASS
  - FINISHES : TERMINAL : Sn 2\*3um OVERALL
  - PRODUCT SPECIFICATION : PS-35507-003
  - MATING HOUSING : 35507-\*\*-0\*  
MATING TERMINAL : 50212-8000
  - KINK

CKT NO	1	2	3	4	5	N-2	N-1	N
6 CKT OVER	-	A	B	-	-	B	A	-
5 CKT	A	B	-	B	A			
4 CKT	A	B	B	A				

30 over	±0.3
10 over 30 under	±0.25
10 under	±0.2
ANGLE	±3°
GENERAL TOLERANCE	

Release	EC NO. KOR2004-037	DRWN: YSOOKIM 04/02/24	CHK: JKOH	APPR: CWLEE
MAJOR	QUALITY SYMBOLS	GENERAL TOLERANCES: (UNLESS SPECIFIED)	SCALE 1:1	DESIGN UNITS <input checked="" type="checkbox"/> mm <input type="checkbox"/> INCH
CRITICAL		mm INCH	DRAWN BY & DATE	THIRD ANGLE PROJECTION <input type="checkbox"/> mm <input checked="" type="checkbox"/> INCH
		4 PLACES ±0. ±	YSOOKIM 96/09/11	TITLE: NEW 2.0 W/B CONN
		3 PLACES ±0. ±	CHECKED BY & DATE	WAFER ASSY (R/A) (LEAD FREE)
		2 PLACES ±0. ±	J.K.Oh 96/09/11	MATERIAL NO. SEE NOTE
		1 PLACE ±0. ±	APPROVED BY & DATE	DRAWING NO. SD-35363-002
		ANGULAR: ±	C.W.Lee 96/09/11	SHEET NO. 1 OF 3
			CAD FILENAME	THIS DRAWING CONTAINS INFORMATION THAT IS PROPRIETARY TO MOLEX INCORPORATED AND SHOULD NOT BE USED WITHOUT WRITTEN PERMISSION.
			SD35363-002S1.DGN	SIZE B

DRAFT WHERE APPLICABLE MUST REMAIN WITHIN DIMENSIONS

MOLEX	MOLEX INCORPORATED
CAD FILENAME	MATERIAL NO.
SD35363-002S1.DGN	SEE NOTE
DRAWING NO.	SD-35363-002
SHEET NO.	1 OF 3

DO NOT SCALE DRAWING DIMENSION IN METRIC

PROJECT NO. SIMILAR ITEM DWG. NO. SD-35363-002

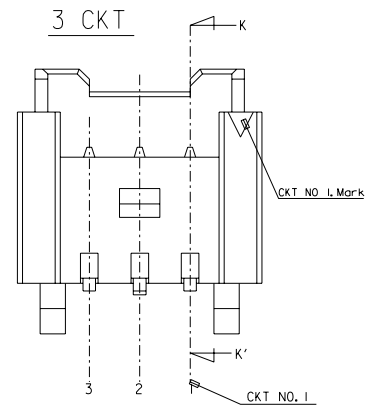
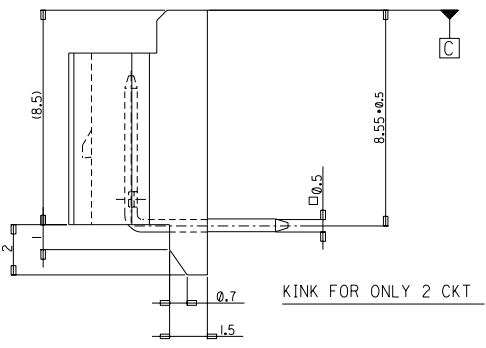
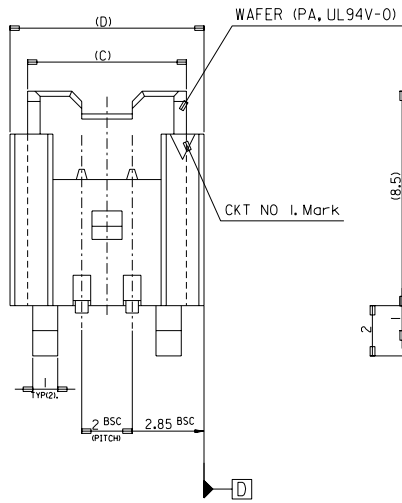
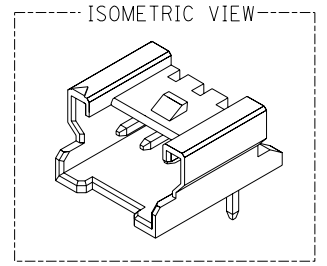
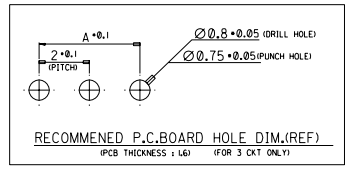
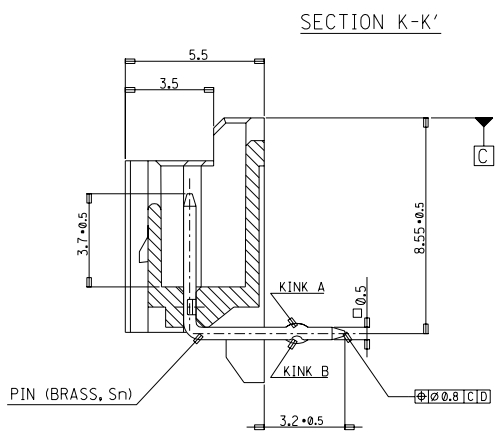
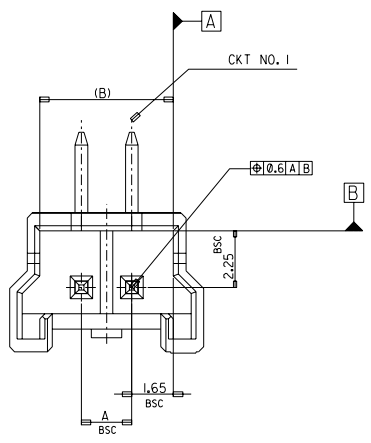
F E D C B A

DWG. NO. SD-35363-002  
 SIMILAR ITEM  
 PROJECT NO.  
 C  
 B  
 DO NOT SCALE DRAWING DIMENSION IN METRIC

8 7 6 5 4 3 2

LEAD FREE

FOR 2 & 3 CKTS.



**LEGEND**

SD-35363-\*\*\*6\* COLOR

- 0 : NATURAL
- 1 : BLACK
- 2 : RED
- 3 : YELLOW
- 4 : BLUE
- 5 : GREEN

9.7	8.3	7.3	4	35363036*	-036*	3
7.7	6.3	5.3	2	35363026*	35363-026*	2
(D)	(C)	(B)	A	MATERIAL NO.	ENG. NO.	CKT

- NOTES**
- MATERIAL : WAFER : POLYAMIDE(PA), NO GLASS, UL94V-0  
PIN : BRASS
  - FINISHES : TERMINAL : Sn 2+3um OVERALL
  - PRODUCT SPECIFICATION : PS-35507-003
  - MATING HOUSING : 35507-\*\*\*0\*  
MATING TERMINAL : 50212-8000
  - KINK

CKT NO	1	2	3
2 CKT	NONE	KINK	
3 CKT	A	B	A

30 over	+0.3
10 over 30 under	±0.25
10 under	±0.2
ANGLE	±3°
GENERAL TOLERANCE	A

Release  
 EC NO. KOR2004-0137  
 DRWN: YSOOKIM 04/02/24  
 CHK: JKOH  
 APPR: CWLEE

QUALITY SYMBOLS  
 MAJOR  
 CRITICAL

GENERAL TOLERANCES: (UNLESS SPECIFIED)

	mm	INCH
4 PLACES	±0.	±.
3 PLACES	±0.	±.
2 PLACES	±0.	±.
1 PLACE	±0.	±.

ANGULAR: ±

DRAFT WHERE APPLICABLE MUST REMAIN WITHIN DIMENSIONS

SCALE 1 : 1  
 DESIGN UNITS  mm  INCH  
 DRAWN BY & DATE  
 YSOOKIM 96/09/11  
 CHECKED BY & DATE  
 J.K.Oh 96/09/11  
 APPROVED BY & DATE  
 C.W.Lee 96/09/11  
 CAD FILENAME  
 SD35363-001S2.DGN

DIMENSIONS:  mm  INCH  mm ONLY

SHT REV  
 REVISE ON CAD ONLY

TITLE: NEW 2.0 W/B CONN  
 WAFER ASSY (R/A) (LEAD FREE)

**MOLEX INCORPORATED**

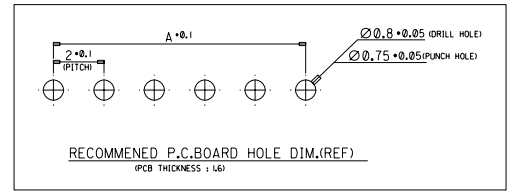
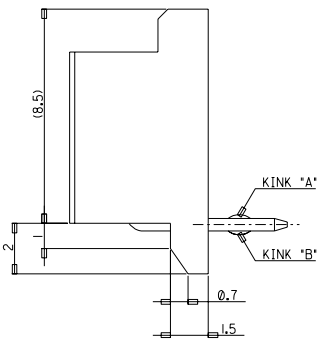
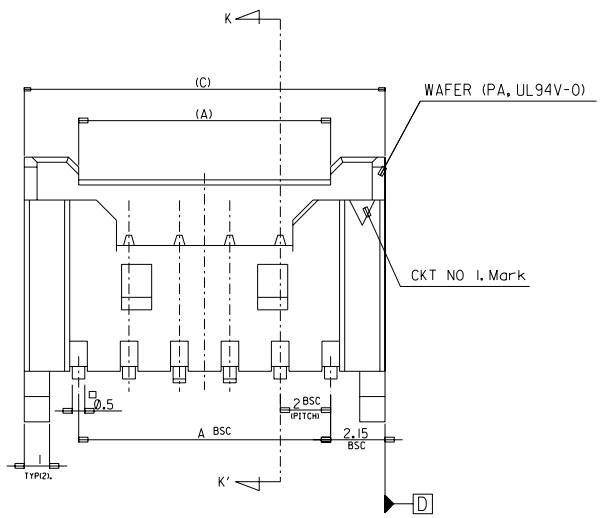
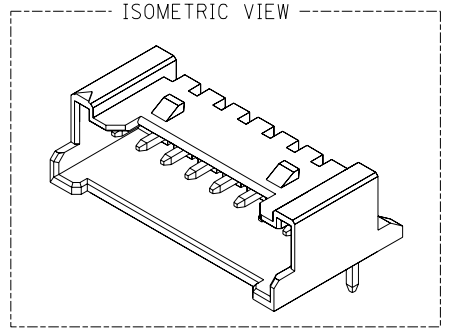
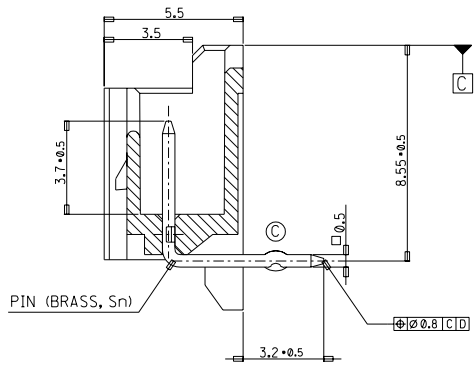
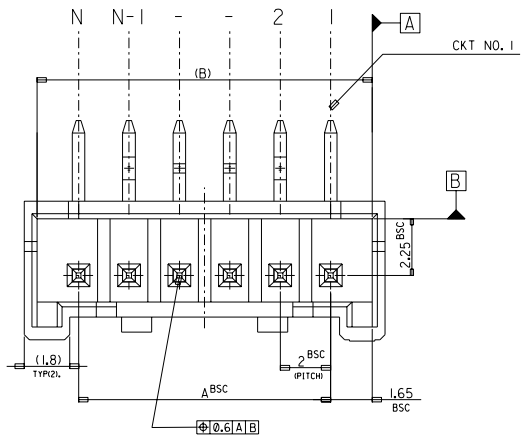
MATERIAL NO. SEE NOTE  
 DRAWING NO. SD-35363-002  
 SHEET NO. 2 OF 3

THIS DRAWING CONTAINS INFORMATION THAT IS PROPRIETARY TO MOLEX INCORPORATED AND SHOULD NOT BE USED WITHOUT WRITTEN PERMISSION.

SIZE B

8 7 6 5 4 3 2 MX-A3

LEAD FREE



**LEGEND**

SD-35363-\*\*-\*\*6\*  
 CKT NO. → \*\* → COLOR  
 LEAD FREE → \*\*6\*

- 0 : NATURAL
- 1 : BLACK
- 2 : RED
- 3 : YELLOW
- 4 : BLUE
- 5 : GREEN

42.3	41.3	38	35363206*	35363-206*	20
(C)	(B)	A	MATERIAL NO.	ENG. NO.	CKT

- NOTES**
- MATERIAL : WAFER : POLYAMIDE(PA), NO GLASS, UL94V-0  
PIN : BRASS
  - FINISHES : TERMINAL : Sn 2±3um OVERALL
  - PRODUCT SPECIFICATION : PS-35507-003
  - MATING HOUSING : 35507-\*\*-0\*  
MATING TERMINAL : 50212-8000
  - KINK

CKT	CKT NO	1	2	3	4	N-3	N-2	N-1	N
20	-	A	B	-	-	B	A	-	-

30 over	±0.3
10 over 30 under	±0.25
10 under	±0.2
ANGLE	±3°
GENERAL TOLERANCE	

Release  
 EC NO. KOR2004-0137  
 DRWN: YSOOKIM 04/02/24  
 CHK: JKOH  
 APPR: CWLEE

QUALITY SYMBOLS  
 MAJOR =   
 CRITICAL =

DESCRIPTION  
 REV

GENERAL TOLERANCES: (UNLESS SPECIFIED)

	mm	INCH
4 PLACES	±0.	±.
3 PLACES	±0.	±.
2 PLACES	±0.	±.
1 PLACE	±0.	±.

ANGULAR: ±

DRAFT WHERE APPLICABLE MUST REMAIN WITHIN DIMENSIONS

SCALE 1:1  
 DESIGN UNITS  mm  INCH  
 THIRD ANGLE PROJECTION  THIRD ANGLE  FIRST ANGLE

DRAWN BY & DATE  
 YSOOKIM 98/04/23

CHECKED BY & DATE  
 J.K.Oh 98/04/23

APPROVED BY & DATE  
 C.W.Lee 98/04/23

CAD FILENAME  
 SD35363-002S3.DGN

TITLE: NEW 2.0 W/B CONN  
 WAFER ASSY (R/A) (LEAD FREE)

**MOLEX INCORPORATED**

MATERIAL NO. SEE NO.  
 DRAWING NO. SD-35363-002  
 SHEET NO. 3 OF 3

SIZE B

THIS DRAWING CONTAINS INFORMATION THAT IS PROPRIETARY TO MOLEX INCORPORATED AND SHOULD NOT BE USED WITHOUT WRITTEN PERMISSION.

DO NOT SCALE DRAWING DIMENSION IN METRIC

PROJECT NO. SIMILAR ITEM DWG. NO. SD-35363-002